

Motor Controller

(Series M)



- ◆ **BEST for Fans, centrifugal pumps, any variable torque load**
- ◆ **Large or small loads (10 to 3000Watts at the flush plate)**
- ◆ **Protects your motor**
 - ramps to 100% every time at startup, ensuring the motor is spinning in the correct direction and working as designed
 - soft starts (2 seconds) to reduce mechanical stress and startup current
 - semiconductors rated for inductive loads
 - circuitry designed to eliminate the possibility of false triggers
 - no DC can be induced, our microprocessor sees any imbalance in the wave, corrects, or shuts down
- ◆ **Full AC3 motor rating for reliable control**
- ◆ **0 to 100% adjustability**
 - Max and min can be set by the installer
 - Minimum sets the cooling for the motor for long term reliability (we recommend setting at 50% or above)
 - Maximum can be used to cut down maximum airflow and excess fan noise
- ◆ **Fits all Flush plates**
- ◆ **Temperature Compensation built in and backed by a thermal fuse for guaranteed safety**
- ◆ **EMC compliant, will not interfere with any other device**
- ◆ **Maximum support - designed, built and supported in NZ**



Available in the following models....

MODEL	K004M	K005M	K010M	K020M	K030M	KBC
Va Rating	350	500	1000	2000	3000	Black Kit
Amp Rating	1.4a	2.0a	4.0a	8.0a	12.0a	

Installation

Step 1 - adaptors

PDL:

- Click the adaptor (slot down) into flush plate.
- Fit the KIWI to the adaptor with locknut.
- Fit the locknut cover, "stop" side up.

HPM and Clipsal:

- Fit the adaptor to the KIWI with locknut.
- Fit the locknut cover, "stop" side up.
- Click the unit (leads down) into the flush plate.

Step 2 - plate

- Fit the face plate cover. (if required)
- Slide the knob onto the shaft.

Step 3 - electrical

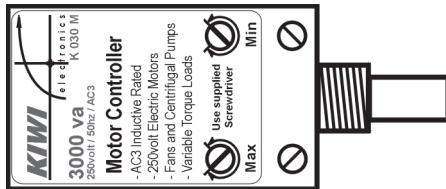
- Connection is by way of the two red wires.
- Connect one to live and the other to load.
- Turn on at the isolator.

The KIWI will Soft Start to full before returning to the speed the rotary knob has been set to. The knob has a turning angle of 270 degrees and retains memory of the last speed setting.

Minimum and Maximum Settings

Important:

- When adjusting these settings, always use the screwdriver supplied.
- Note, the default settings are illustrated below.



Minimum

Turn the minimum trimmer clockwise to raise the minimum speed the knob can be turned to.

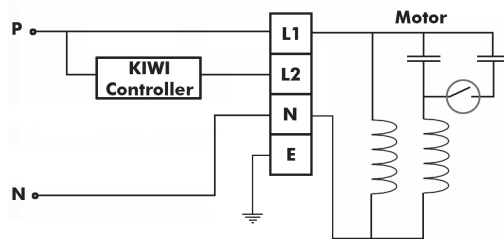
Note: The minimum level cannot be adjusted above the maximum setting.

Maximum

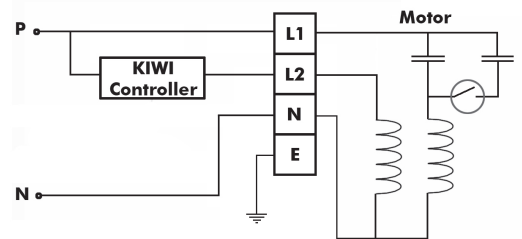
Turn the maximum trimmer anti-clockwise to lower the maximum speed the knob can be turned to.

Wiring Diagrams

Standard Wiring Diagram



Alternative Wiring Diagram



Warnings

- ALWAYS ensure there is adequate ventilation. (ie. air movement across the heatsink.)
- Output from this unit will decrease if the thermal protection level is exceeded. In this event, increase ventilation.
- This unit is fitted with a thermal fuse. Exceeding a continuous current of 16amps or failing to supply adequate ventilation it will permanently open circuit.
- Do not exceed the specified Va Rating.
- The KIWI controller has been designed to be connected in series with the load. Do not connect between phase and neutral.

Product Specifications

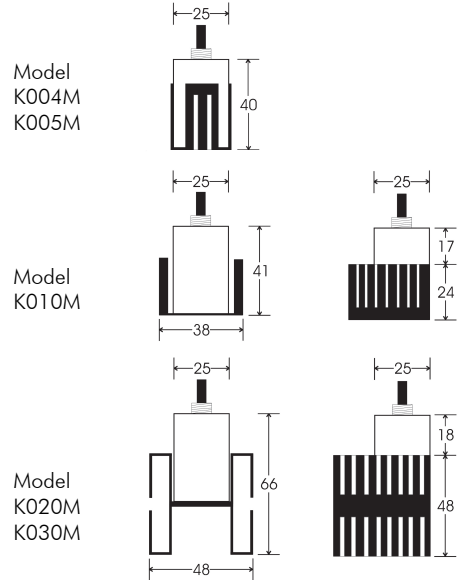
- Input voltage 250volt
- Output voltage 0% to 99% of input
- Frequency 50hz
- Peak current 60amp - K004M
190amp - K005M, K010M
312amp - K020M, K030M
- Load rating AC3 Inductive
- Switching type Leading Edge
- Max per flush box 3 x K004M
3 x K005M, 2 x K010M
1 x K020M, 1 x K030M

(Ensure mounting method promotes air flow.)

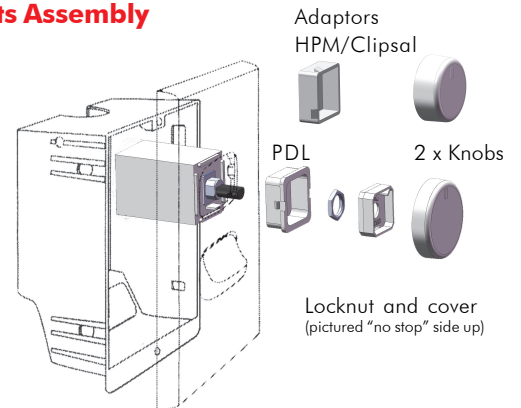
- Ambient temp 25°C
- Thermal Fuse 16amp/110°C max
- Thermal Protection Activated above 70°C
- Knob Rotation 270° with memory
- EMC/RFI approval AS/NZS 4051
- Designed to AS3100

Note: Specifications may change without notice.

Dimensions



Parts Assembly



Manufactured by: **KIWI Electronic Design Ltd**

Freephone: 0800 820 821

Fax: 0800 002 578

Email: contact@kiwielectronics.co.nz

Web: www.kiwielectronics.co.nz