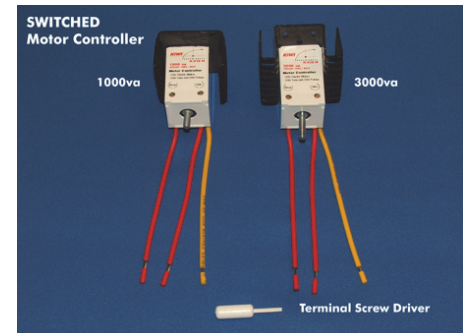


Switched Motor Controller

(Series MS)

- ◆ **Control with PLC, Timer, Relay or Rotary Switch**
- ◆ **BEST for Fans, centrifugal pumps, any variable torque load**
- ◆ **Large or small loads (Control from 10 to 3000Watts)**
- ◆ **Protects your motor**
 - ramps to 100% every time at startup, ensuring the motor is spinning in the correct direction and working as designed
 - soft starts (2 seconds) to reduce mechanical stress and startup current
 - semiconductors rated for inductive loads
 - circuitry designed to eliminate the possibility of false triggers
 - no DC can be induced, our microprocessor sees any imbalance in the wave, corrects, or shuts down
- ◆ **Full AC3 motor rating for reliable control**
- ◆ **0 to 100% adjustability**
 - Max and min can be set by the installer
 - Minimum sets the cooling for the motor for long term reliability (we recommend setting at 50% or above)
 - Maximum can be used to cut down maximum airflow and excess fan noise
- ◆ **Easy install, panel mount with one M4 thread & nut supplied**
- ◆ **Temperature Compensation built in and backed by a thermal fuse for guaranteed safety**
- ◆ **EMC compliant, will not interfere with any other device**
- ◆ **Maximum support - designed, built and supported in NZ**



Available in the following models....

MODEL	K005MS	K010M	K030M
Va Rating	500	1000	3000
Amp Rating	2.0a	4.0a	12.0a



Specifications MS Series

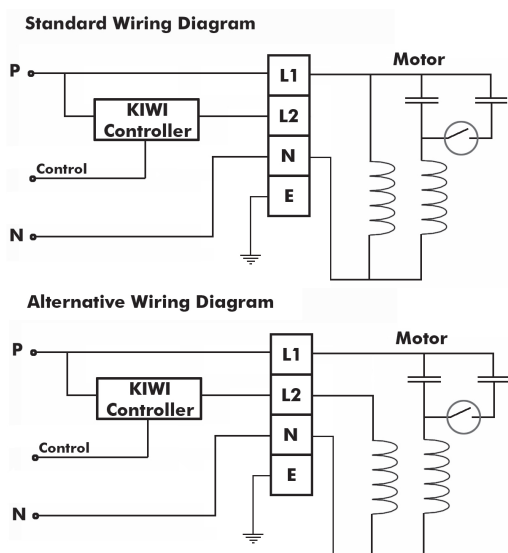
- Rated Input Voltage Load 250volt
 - Rated Input Voltage Control 250volt
 - Switching type Leading Edge 640volt peak to peak
 - Maximum Ambient Temperature 25°C at full load current (40°C maximum when de-rated)
 - Ambient Temperature de-rating De-rate load by 10% for every 5°C increase in ambient temperature
 - Maximum per Flush Box 3 x 500va, 1 x 1000va, 1 x 3000va
For ventilation use a Metal Flush box or better 2000va and above.
 - Maximum Peak Current 60amp for K005, 190amp for K 010, 312amp for K 030
 - Maximum Preset Voltage 99% of input
 - Minimum Preset Voltage 0% of input
 - Rated Frequency 50hz
 - Output Voltage 0% to 99% of input voltage
 - Load Ratings Suffix (M) = AC3 Inductive Motor Rated
Fused maximum internal temperature
Maximum load current fuse rating 16amp.
 - Thermal Fuse Protected Activated at Internal temperature above 70°C
 - Automatic Thermal Reduction
 - EMC/RFI approval AS/NZS 4051
 - Conforms to AS3100 Safety Standards
- (Specifications listed may change without prior notice.)

Electrical Connection

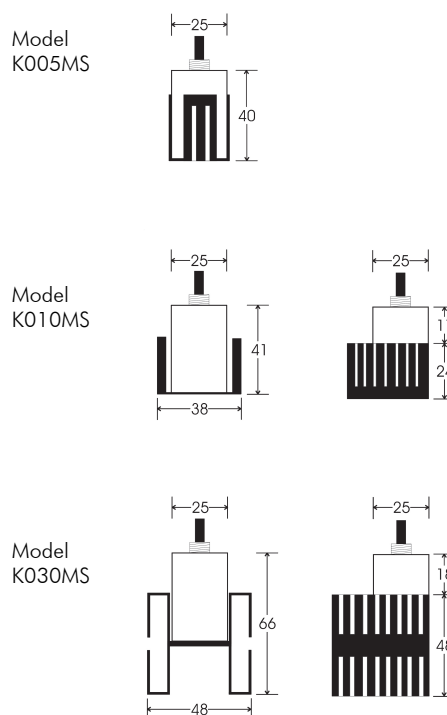
Electrical connection is by way of the two red wires. One is connected to live and the other to load. (The red load wires are non-polarity sensitive. It does not matter which way around they are connected.)

The Yellow control wire is 250volt rated and supplied to enable switching between Minimum and Maximum speeds (speeds one and two). With mains voltage supplied to the yellow wire the unit will ramp up to Speed2. With no voltage supplied to the yellow wire the unit will default to Speed1.

Wiring Diagrams



Dimensions



Note: Dimensions in millimetres (mm).

Product Disclaimer (Warranty)

This product is covered by warranty against manufacture faults **ONLY**. Goods **MUST** be returned for assessment along with the **installers name and contact details**. Any valid warranty will be repaired or replaced at the discretion of the manufacturer. The warranty does not include any labour or other associated expenses that may be involved in removal or installation of the product. For full terms and conditions of the warranty on this product please contact your local distributor.

Manufactured by: **KIWI Electronic Design Ltd**

Freephone: 0800 820 821

Fax: 0800 002 578

Email: contact@kiwielectronics.co.nz

Web: www.kiwielectronics.co.nz

Copyright © 2017